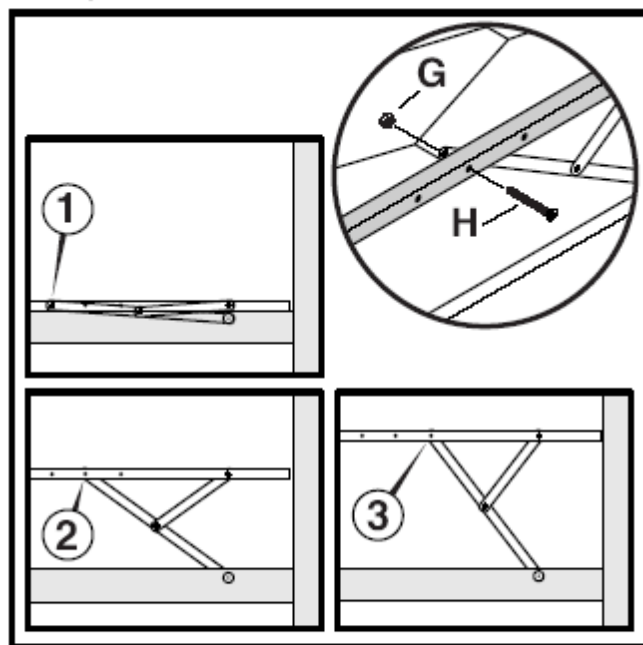


## STEP 5 *Diagram 4*

The spring frame has three height positions. Use 4 screws **H** and 4 nuts **G** to mount upper arm of bracket to desired spring height.

**Note:** nuts will be to the inside of the spring frame.

DIAGRAM 4



- ① **LOWEST POSITION**
- ② **MIDDLE POSITION**
- ③ **HIGHEST POSITION**