

CRIB ASSEMBLY INSTRUCTIONS

**READ ALL INSTRUCTIONS BEFORE ASSEMBLING CRIB
KEEP INSTRUCTIONS FOR FUTURE USE**

BELLINI

BARRY IMPORTS EAST CO.
165 OVAL DRIVE
ISLANDIA NY 11722 USA

BELLINI

CAL - LINDA IMPORTS INC.
2216 A AGATE COURT
SIMI VALLEY CA 93065 USA

This crib has been designed for your child's comfort and your convenience. Quality material and workmanship have gone into this crib, which will provide a sound and comfortable bed for your baby if properly assembled and maintained. For the security of your child and your own peace of mind be sure to follow the assembly instructions exactly. A periodic check should be made of all screws and tighten if needed.

Moisture and heat are harmful to finish materials, for this reason use caution when a vaporizer or humidifier is in use.

Some types of soft plastic toys that come into contact with finish materials could also be harmful to the finish on your furniture.

WARNING: FAILURE TO FOLLOW THESE WARNINGS AND THE ASSEMBLY INSTRUCTIONS COULD RESULT IN SERIOUS INJURY OR DEATH.

❖ **READ ALL INSTRUCTIONS BEFORE ASSEMBLING CRIB.**

❖ **KEEP INSTRUCTIONS FOR FUTURE USE.**

❖ **BEFORE EACH USAGE OR ASSEMBLY, INSPECT CRIB FOR DAMAGED HARDWARE, LOOSE JOINTS, MISSING PARTS OR SHARP EDGES.**

❖ **DO NOT USE CRIB IF ANY PARTS ARE MISSING OR BROKEN. ASK YOUR DEALER OR WRITE TO MANUFACTURER FOR REPLACEMENT PART AND INSTRUCTIONAL LITERATURE IF NEEDED.**

DO NOT SUBSTITUTE PARTS.

❖ **AFTER RAISING SIDE, MAKE SURE LATCHES ARE SECURE.**

❖ **WHEN CHILD IS ABLE TO CLIMB OUT OR REACHES THE HEIGHT OF 35 INCHES (90 CM), THE CRIB SHALL NO LONGER BE USED.**

- ❖ **DO NOT PLACE CRIB NEAR WINDOW WHERE CORDS FROM BLINDS OR DRAPES MAY STRANGLE A CHILD.**
- ❖ **IF REFINISHING, USE A NON-TOXIC FINISH SPECIFIED FOR CHILDREN'S PRODUCTS (LEAD-FREE).**
- ❖ **DO NOT USE A WATER MATTRESS WITH THIS CRIB.**
- ❖ **REPLACE TEETHING RAIL(S) IF DAMAGED OR LOOSE.**
- ❖ **DO NOT LEAVE CHILD IN CRIB WITH SIDE LOWERED. BE SURE SIDE IS RAISED AND LOCKED IN POSITION WHENEVER CHILD IS IN CRIB.**
- ❖ **WHEN CHILD IS ABLE TO PULL TO STANDING POSITION, SET MATTRESS TO LOWEST POSITION AND REMOVE BUMPER PADS, LARGE TOYS AND OTHER OBJECTS THAT COULD SERVE AS STEPS FOR CLIMBING OUT.**
- ❖ **THE DIMENSION FROM THE TOP OF THE MATTRESS TO THE TOP OF THE SIDE, WHEN THE SIDE IS IN ITS LOWEST POSITION SHOULD BE A MINIMUM OF 3 INCHES. THIS CAN BE OBTAINED BY LOWERING THE MATTRESS SUPPORT TO**

A POINT WHERE THIS OCCURS SATISFACTORILY. AS YOUR BABY GROWS AND BECOMES ACTIVE AND MOBILE, BE SURE TO LOWER THE SPRING AND MATTRESS TO THE BOTTOM POSITION. WHEN YOUR CHILD REACHES A HEIGHT OF 35 INCHES, HE SHOULD BE PLACED IN A YOUTH BED, OR A REGULAR BED.

- ❖ NEVER USE PLASTIC SHIPPING BAGS OR OTHER PLASTIC FILM AS MATTRESS COVERS BECAUSE THEY CAN CAUSE SUFFOCATION.**
- ❖ CARE: CLEAN ONLY WITH DRY CLOTH. DO NOT USE ANY CHEMICALS TO CLEAN CRIB.**
- ❖ STORAGE: STORE CRIB IN A DRY, COOL, CLEAN ENVIRONMENT.**

WARNING

STRINGS CAN CAUSE STRANGULATION!

DO NOT PLACE ITEMS WITH STRING AROUND A CHILD'S NECK, SUCH AS HOOD STRINGS OR PACIFIER CORDS.

DO NOT SUSPEND STRINGS OVER A CRIB OR ATTACH STRINGS TO TOYS.

WARNING

DO NOT TIE PACIFIERS, NECKLACES, OR ANY OTHER ITEM AROUND A CHILD'S NECK OR ON THE CRIB PARTS, THIS COULD CAUSE STRANGULATION.

WARNING

NEVER LEAVE YOUR BABY UNATTENDED WHILE THE CRIB SIDE IS LOWERED!

WARNING

A PERIODIC CHECK SHOULD BE MADE OF ALL SCREWS AND TIGHTEN IF NEEDED.

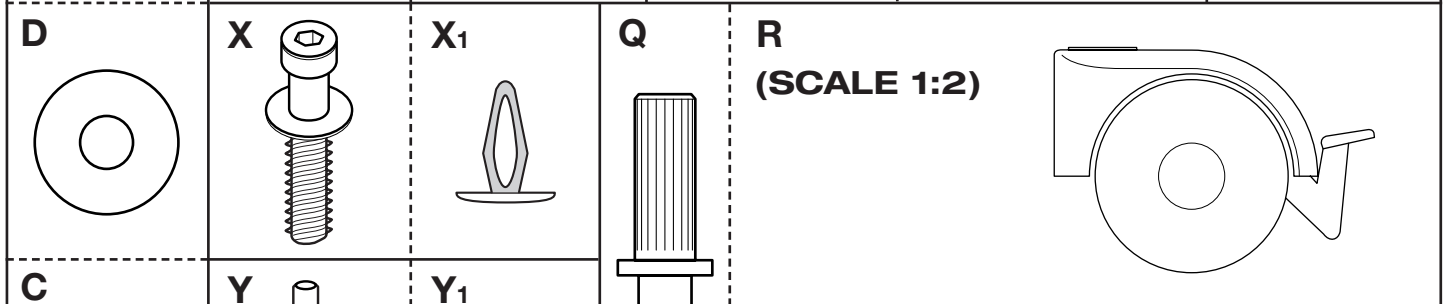
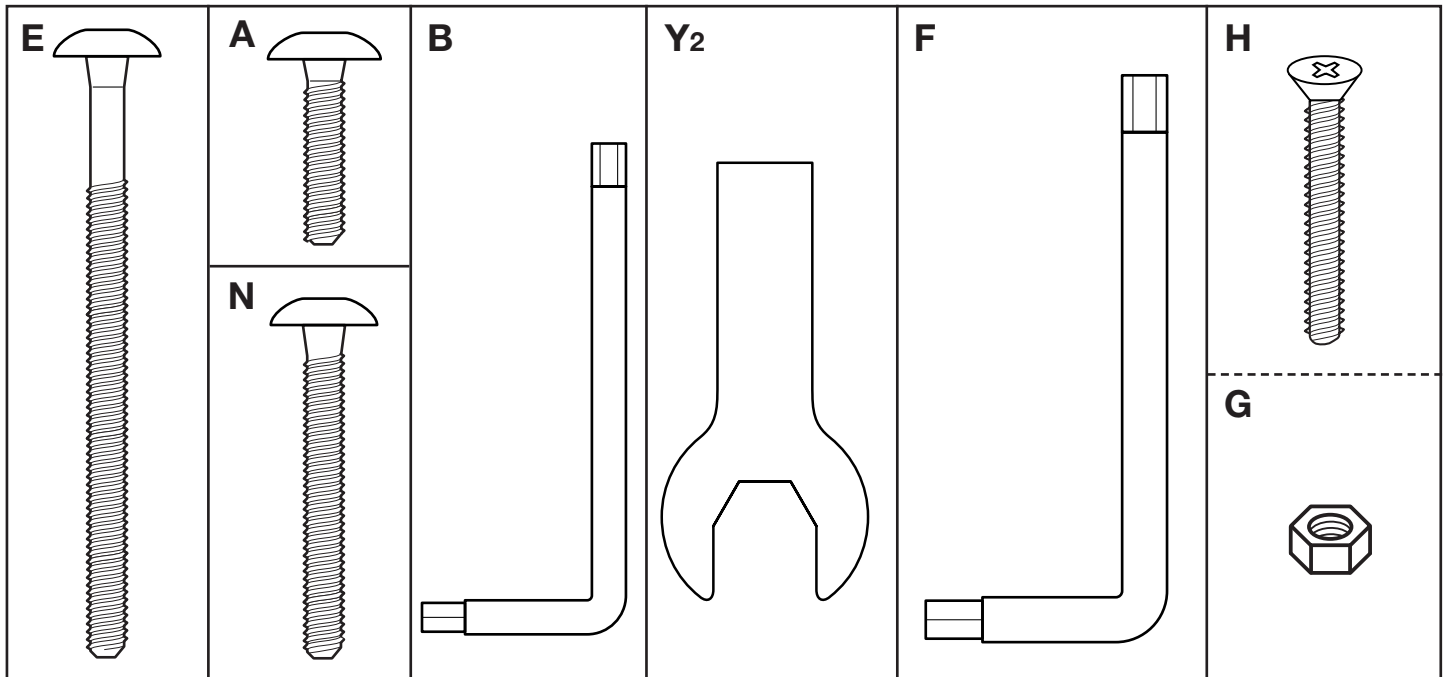
IMPORTANT FOR YOUR CHILD'S SECURITY

WARNING

ANY MATTRESS USED IN THIS CRIB MUST BE AT LEAST 27-1/4 INCHES BY 51-5/8 INCHES WITH A THICKNESS NOT EXCEEDING 6 INCHES.

(MATTRESS TO BE MEASURED SEAM TO SEAM)

HARDWARE DIAGRAM (SCALE 1:1)



IMPORTANT:

Before commencing assembly, check that screws E and nuts C screw together correctly and that pins X and Y can be inserted into the holes pre-drilled in the legs (see diagram 6).
If not, please contact your dealer.

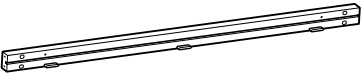
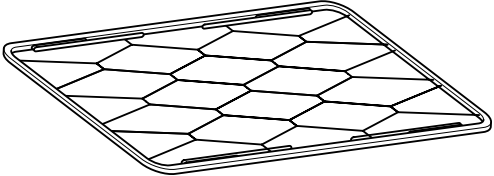
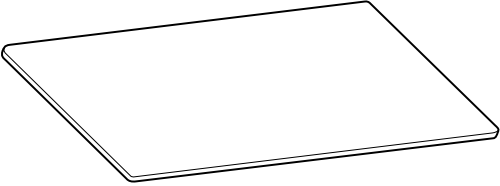
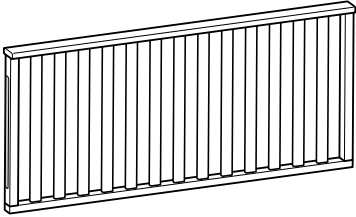
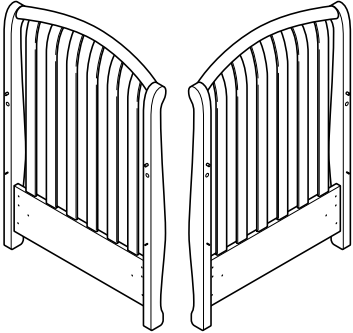



TOOLS REQUIRED FOR ASSEMBLY:

METRIC ALLEN WRENCH (INCLUDED)
STANDARD SIZE SCREWDRIVER (NOT INCLUDED)
HAMMER (NOT INCLUDED)

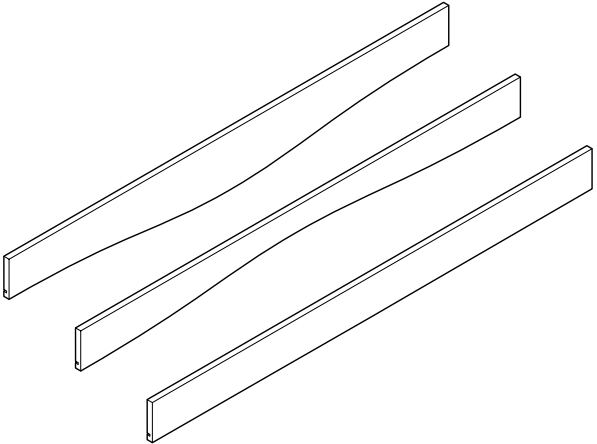
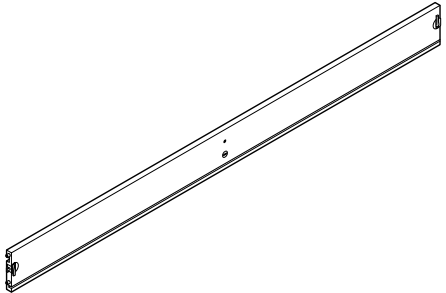
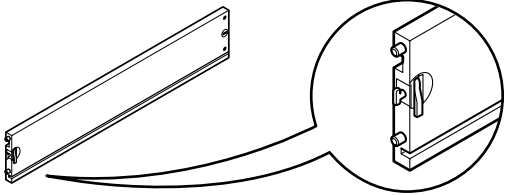
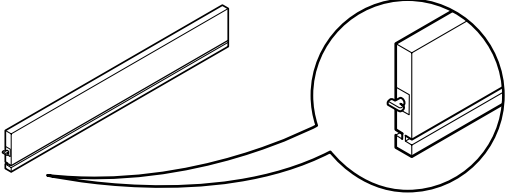
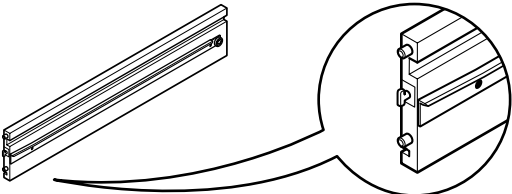
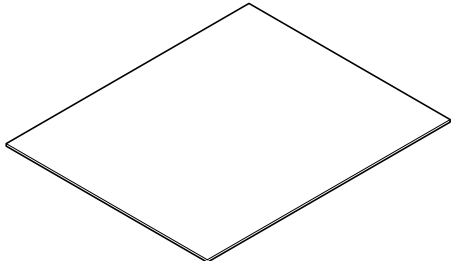
HARDWARE	QUANTITY
A – Screw	4
B – Small wrench	1
C – Nuts	8
D – Plastic round washers	8
E – Screw	8
F – Large wrench	1
G – Nuts	8
H – Screw	8

HARDWARE	QUANTITY
N – Screw	4
X – Screw	4
Y – Screw with pin	4
Y ₂ – Spanner	1
Q – Caster stud	4
R – Caster (n° 2 with brake)	4
X ₁ – Hole masking cap	8
Y ₁ – Hole masking cap	4

ADDITIONAL PARTS (NOT SCALE DRAWING)

DRAWING	QUANTITY	DESCRIPTION
	2	Stabilizer bar
	1	Crib spring
	1	Dust cover <i>(thin masonite board)</i>
	2	Crib dropside
	2	1 - Crib headboard 1 - Crib footboard
	2	Drawer metal guide
	4	Corner posts <i>(only on some models)</i>
	4	Bun foot <i>(only on some models)</i>

ADDITIONAL PARTS (NOT SCALE DRAWING)

DRAWING	QUANTITY	DESCRIPTION
	1	<p style="text-align: center;">Drawer front</p> <p>N.B.: The shape of the drawer front varies depending on the model.</p>
	1	Drawer back
	1	Drawer left side
	1	Drawer center
	1	Drawer right side
	2	Drawer bottom board

ASSEMBLY INSTRUCTIONS

STEP 1

Unpack and familiarize yourself with all parts and components by comparing them with the pictures and descriptions on pages 2, 3, 4.

STEP 2

Note: Some Crib designs are made to be viewed in a certain way.

Example: Designs, carvings, moldings, etc... The option of mounting the dropside and drawer, allows the decorative view of the crib to be seen properly and the operational portions (dropside and drawer) to be where needed. The drawer guides can be mounted two ways. You will need to determine which side the drawer will open and mount the guides accordingly. The wheel in this guide is where the drawer front will be.

This option may not be necessary on all cribs.

Diagram 1

Mounting the drawer guides to the bottom of the headboard and footboard. Using wrench **B**, mount the two drawer guides to the bottom of the headboard and footboard with screws **A** (pg. 2) in the lowest holes on the inside of the end panels.

Tighten screws.

STEP 3 *Diagram 2*

STABILIZER BARS ASSEMBLY

Attach stabilizer bars (pg 3) to headboard. From the outside of the headboard insert screws **E** with plastic washers **D** through holes provided and into stabilizer bar. Insert nut **C** into stabilizer bar and thread screws **E** with plastic washers **D** into nuts **C**. Tighten until snug with wrench **F**.

Repeat for footboard.

STEP 3/A

Lie dust cover (thin masonite board) on top of dust cover supports, on inside of the stabilizer bars.

DIAGRAM 1

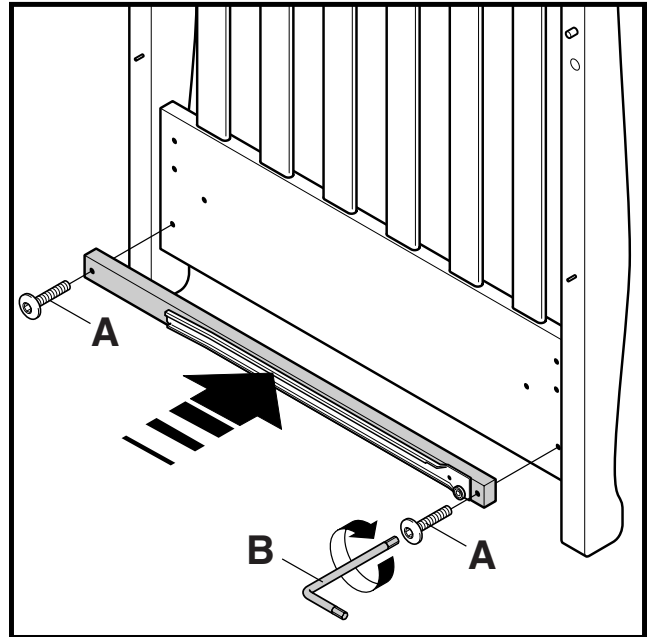
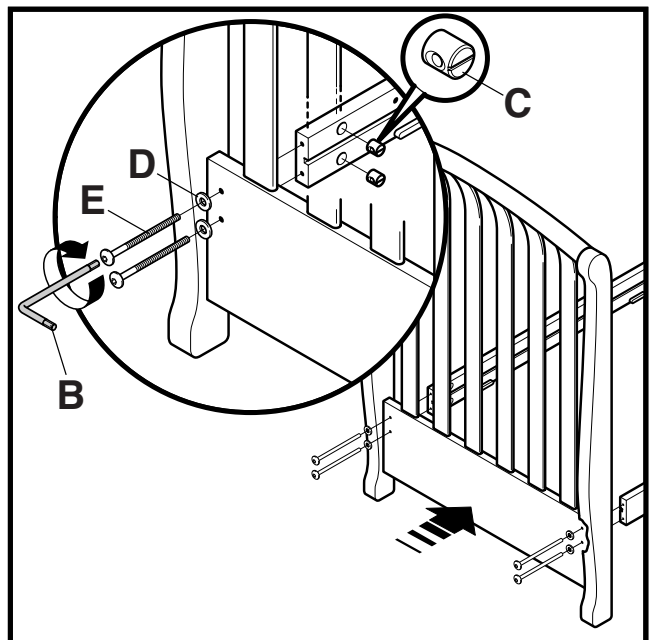


DIAGRAM 2



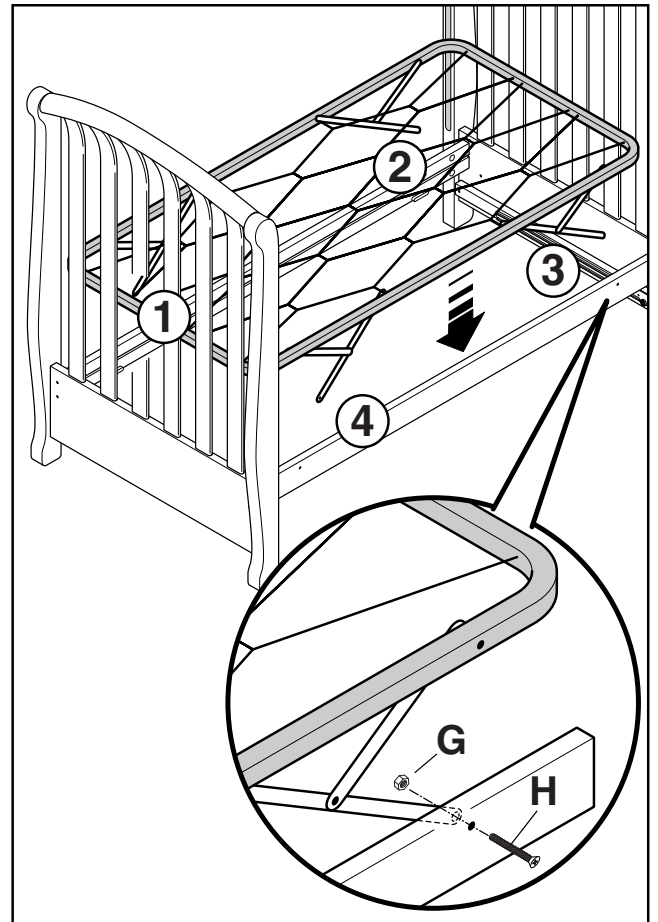
STEP 4 *Diagram 3*

SPRING FRAME

To attach the spring frame, carefully place spring frame in the crib so it rests on the stabilizer bars. Attach lower portions of the brackets to stabilizer bar using 4 screws **H** and 4 nuts **G**. Tighten with wrench **B**.

Note: Nuts will be to the inside of the stabilizer bars.

DIAGRAM 3

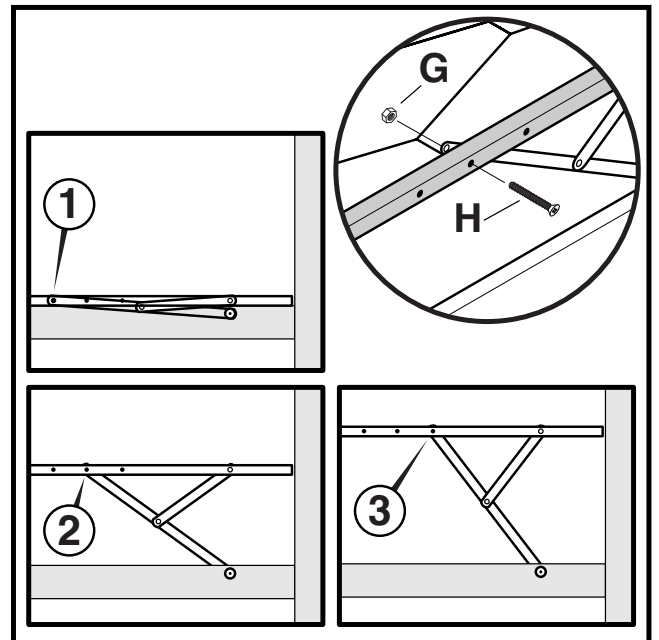


STEP 5 *Diagram 4*

The spring frame has three height positions. Use 4 screws **H** and 4 nuts **G** to mount upper arm of bracket to desired spring height.

Note: nuts will be to the inside of the spring frame.

DIAGRAM 4



- ① **LOWEST POSITION**
- ② **MIDDLE POSITION**
- ③ **HIGHEST POSITION**

STEP 6 *Diagram 5*

Insert screw “X” into the upper hole in the head-board and tighten fully using wrench “B”.

Proceed in the same way to insert screw “Y” into the lower hole using spanner “Y2”.

DIAGRAM 5

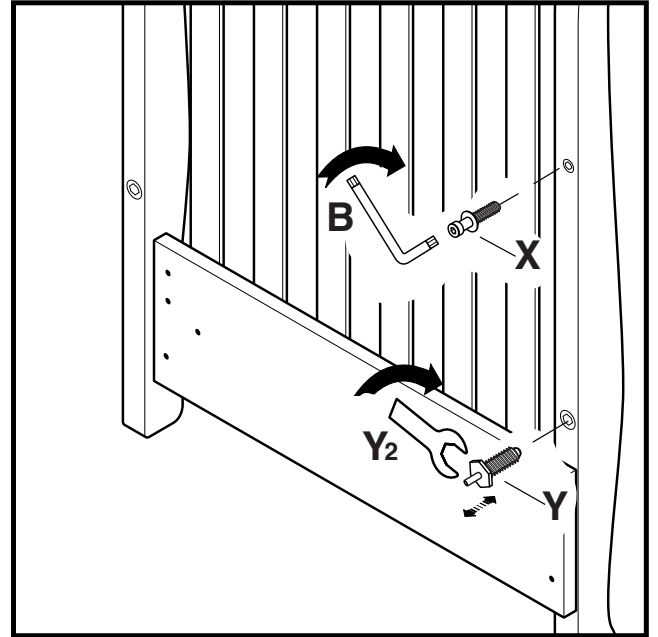
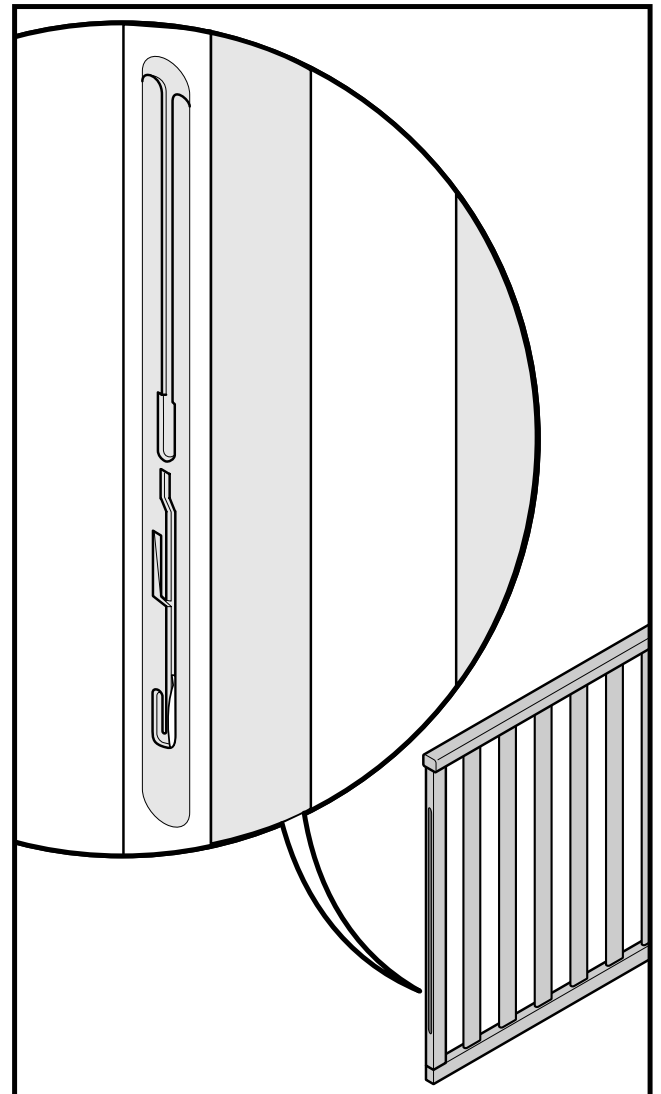


Diagram 6

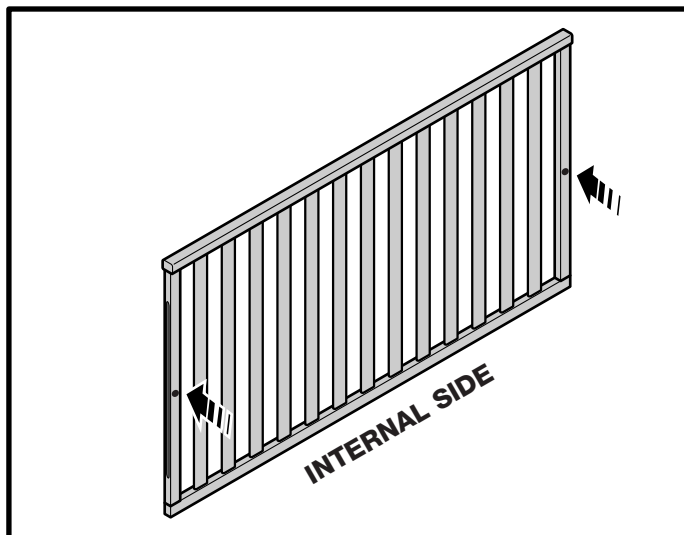
Detail of the dropside mechanism.

DIAGRAM 6



IMPORTANT:

THE DROPSIDE MUST BE FITTED WITH THE REFERENCE MARKS FACING THE INTERIOR OF THE CRIB.



STEP 7 *Diagram 7*

FITTING THE DROPSIDE

Position the dropside against the ends of the crib (1). At one end insert screw X into hole W in the guide (2). Press the other end outwards and repeat the procedure described above. Slide the dropside downwards (3).

DIAGRAM 7

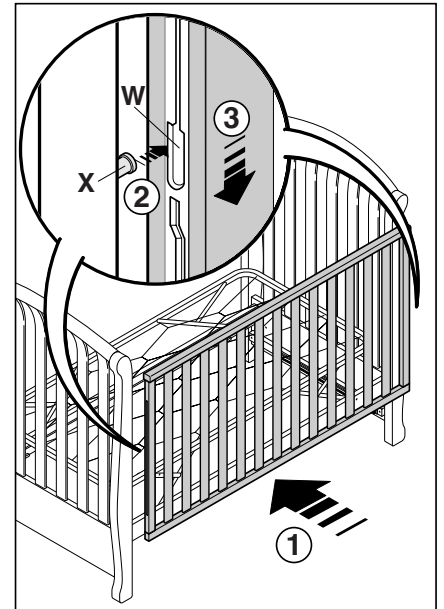
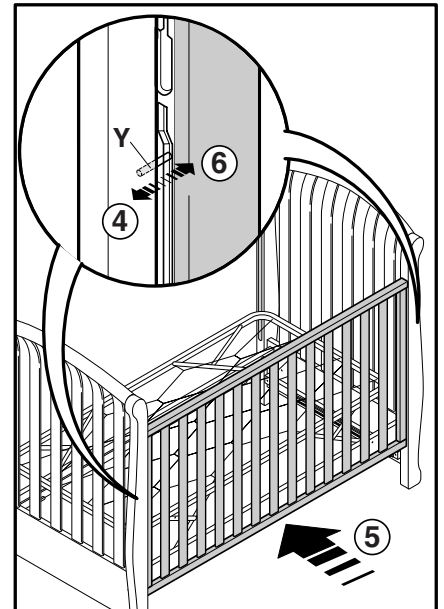


Diagram 8

Press the pin of screw Y (4), push the dropside inwards (5) until the pin is inserted into the lower part of the guide.

DIAGRAM 8



Step 8 *Diagram 9*

HOW TO RAISE AND LOWER DROPSIDE:

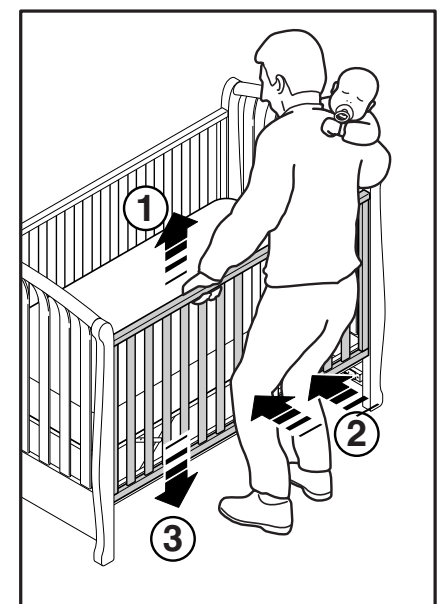
To Raise:

Hold the dropside in the middle with one hand. Pull side up firmly until it locks.

To Lower:

Hold the dropside in the middle with one hand. Pull side up lightly but firmly and push lightly but firmly with knee towards the center of the crib. Lower the side.

DIAGRAM 9



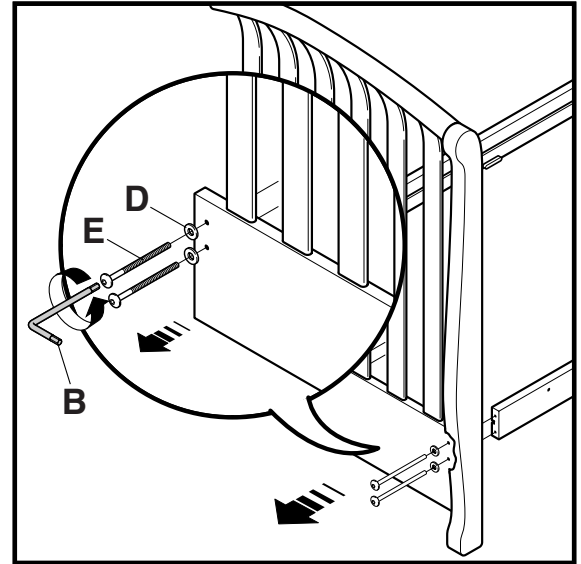
Step 9 *Diagram 10*

TO TAKE OFF THE DROPSIDE FROM CRIB

From the crib side where you want to take off the dropside:

loosen the screws **E** with wrench **B** of only one headboard. Do not take off the screws completely.

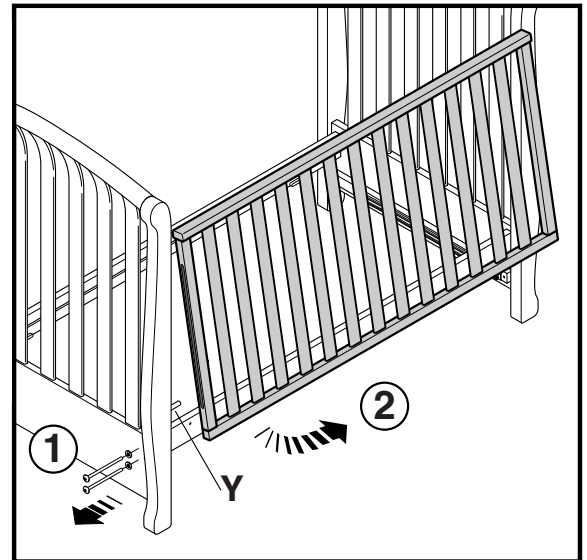
DIAGRAM 10



Step 10 *Diagram 11*

Pull the leg of this headboard towards outside **(1)**. Catch the dropside at the bottom **(2)** and let the pin of screw **Y** goes out from dropside mechanism.

DIAGRAM 11



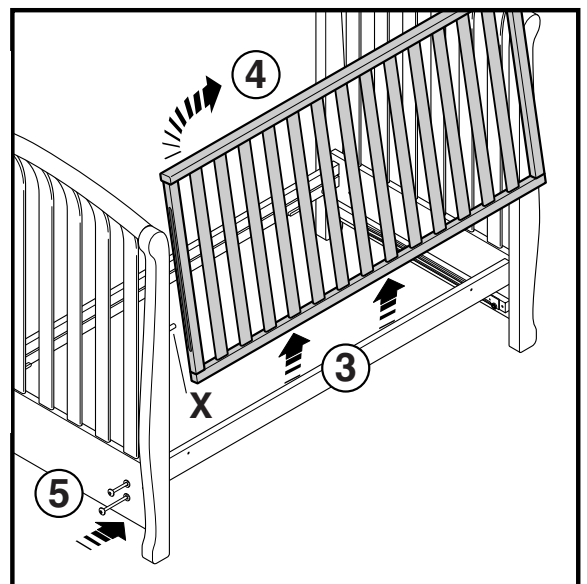
Step 11 *Diagram 12*

Lift up the dropside **(3)** and let the screw **X** goes out from dropside mechanism.

Take off the dropside **(4)**.

Tighten again the screw **E** with the wrench **B** **(5)**.

DIAGRAM 12

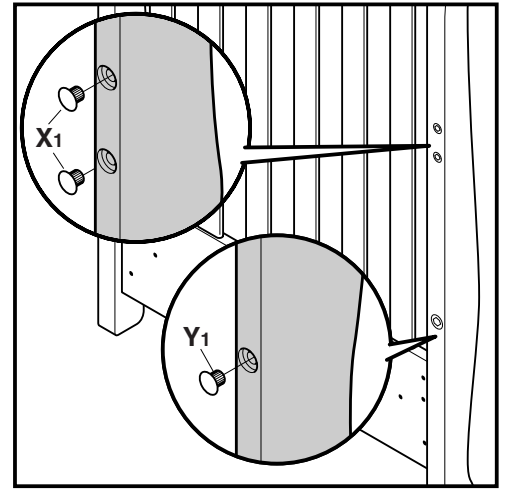


Step 12 *Diagram 13*

MASKING THE HOLES IN THE LEGS

Use wrench “B” to remove screws X and the spanner “Y2” for screw Y. Replace the screws with the masking caps X1 and Y1 as shown in diagram 12.

DIAGRAM 13



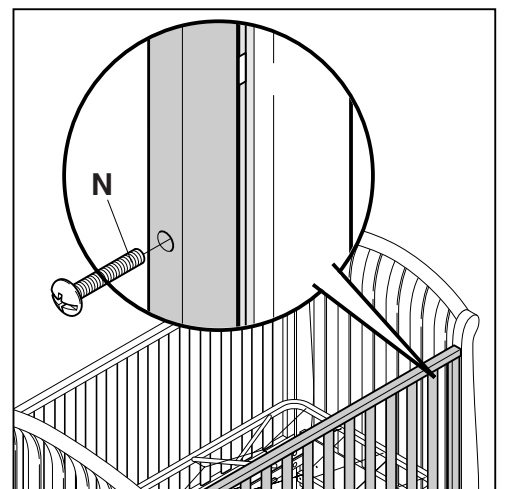
Step 13 *Diagram 14*

TO FIX SIDE

Raise side until it locks. Use 2 screws N to fix side. Tighten screws.

IN ORDER TO INCREASE THE STABILITY OF THE COT AND IMPROVE THE OPERATION OF THE MOVABLE SIDE, IT IS ADVISABLE TO SECURE THE OTHER SIDE USING SCREWS.

DIAGRAM 14

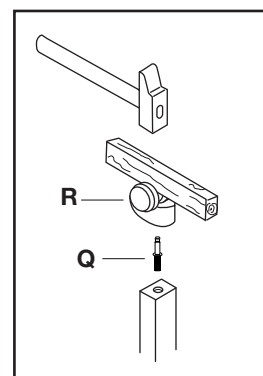


Step 14 *Diagram 15*

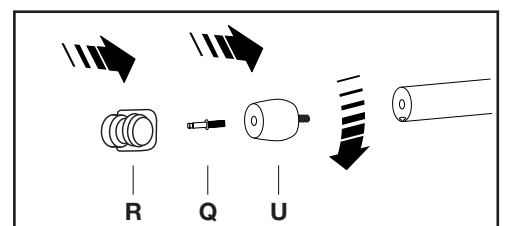
MOUNTING THE CASTERS

DO NOT STRIKE THE WHEELS! Place a piece of wood or something similar that will fit between the wheels and gently tap with a hammer.

DIAGRAM 15



IMPORTANT NOTE: On models with removable bun feet (U), screw on bun foot (U) first. Then, if you wish to use castors, when are optional, follow step 12 (See diagram 13).



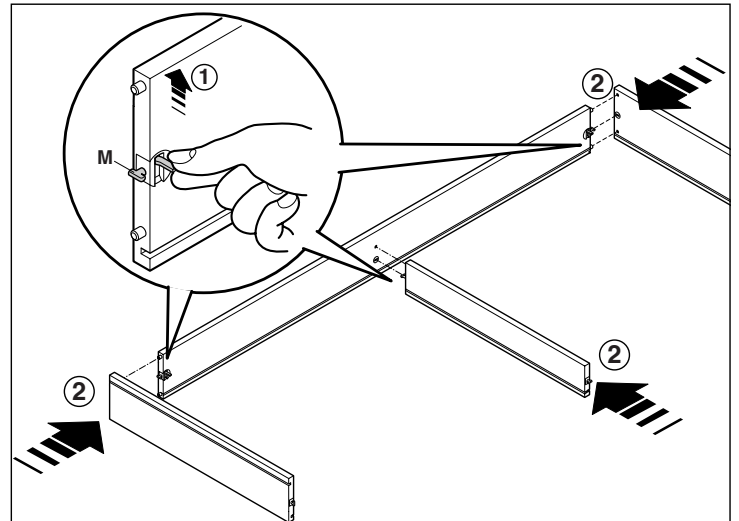
DRAWER ASSEMBLY INSTRUCTIONS

Step 15 *Diagram 16-17*

DRAWER ASSEMBLY

Turn the metal tabs so they are in the unlocked position (tabs up, diagram 10-1) Attach drawer sides and drawer center to drawerback and push metal tabs down to lock sides and center into place. (diagram 14-3) Indert two drawer bottom boards (diagram 14-4) into channels.

DIAGRAM 16



Step 16 *Diagram 18*

Attach the drawer front to drawer sides and center and lock tabs.

DIAGRAM 17

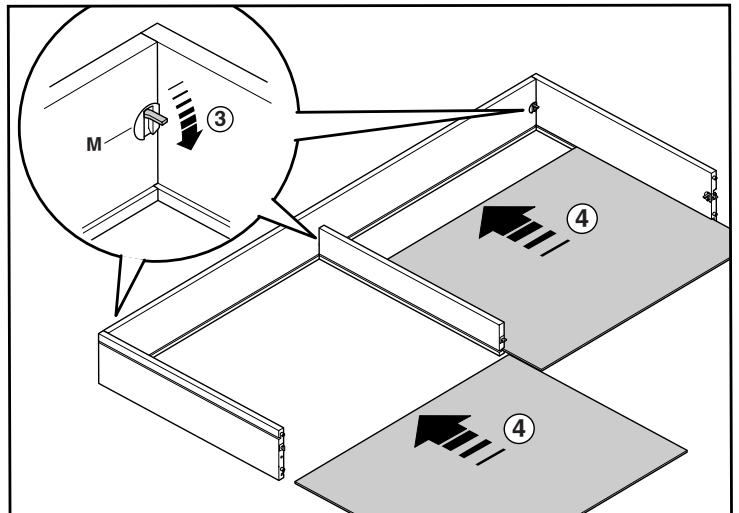


Diagram 19

Slide drawer into guides on crib end panels. (Wheel to Wheel)

DIAGRAM 19

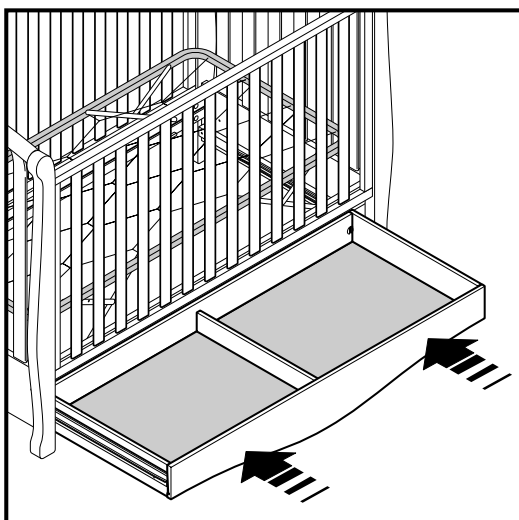
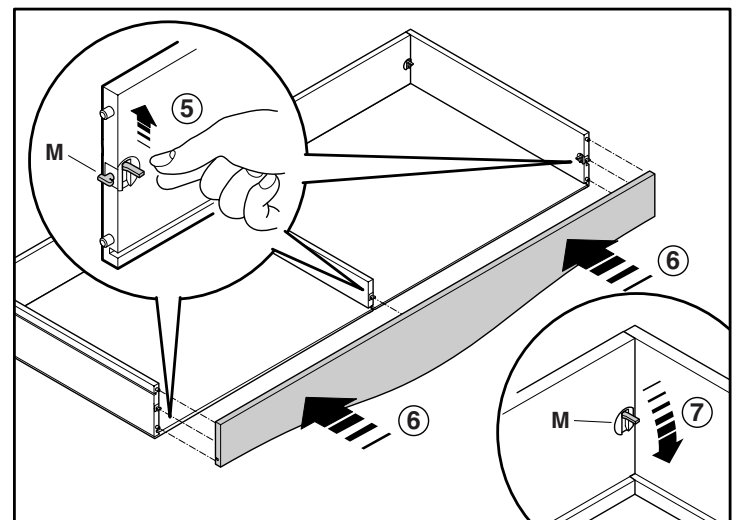


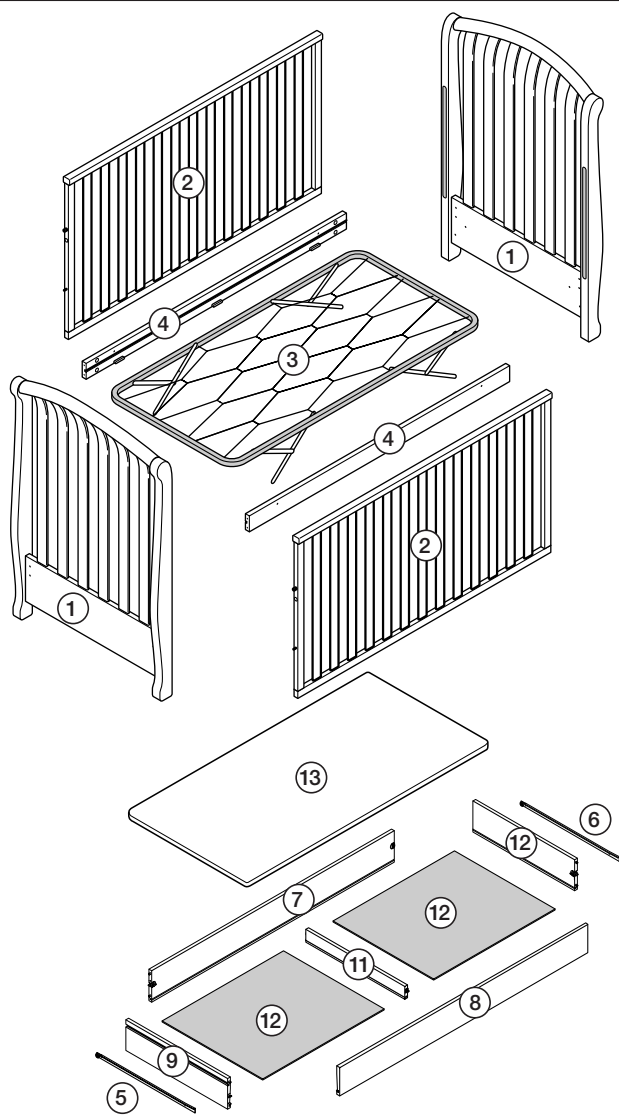
DIAGRAM 18

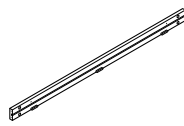


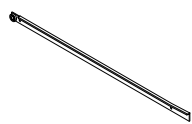
LIST OF REPLACEMENT PARTS

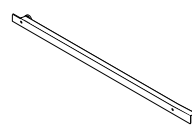
FOR CRIB MODEL _____

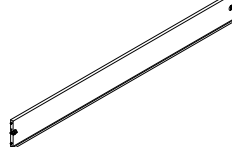
COLOUR _____

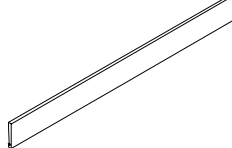


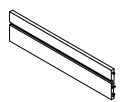
④  Stabilizer bar
Quantity

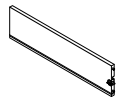
⑤  Drawer guide left
Quantity


⑥  Drawer guide right
Quantity

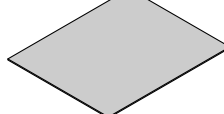
⑦  Drawer back
Quantity

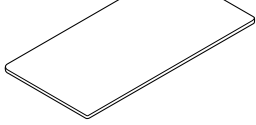
⑧  Drawer front
Quantity

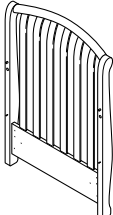
⑨  Drawer left side
Quantity

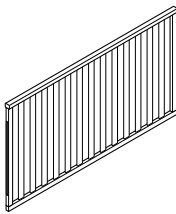
⑩  Drawer right side
Quantity

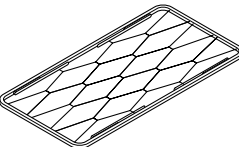
⑪  Drawer center
Quantity

⑫  Drawer bottom board
Quantity

⑬  Dust cover
Quantity

①  Headboard
Quantity

②  Dropside
Quantity

③  Spring
Quantity

Use this page to order spare parts.
Simply cut along the dotted line and give
or send the page to your nearest dealer.