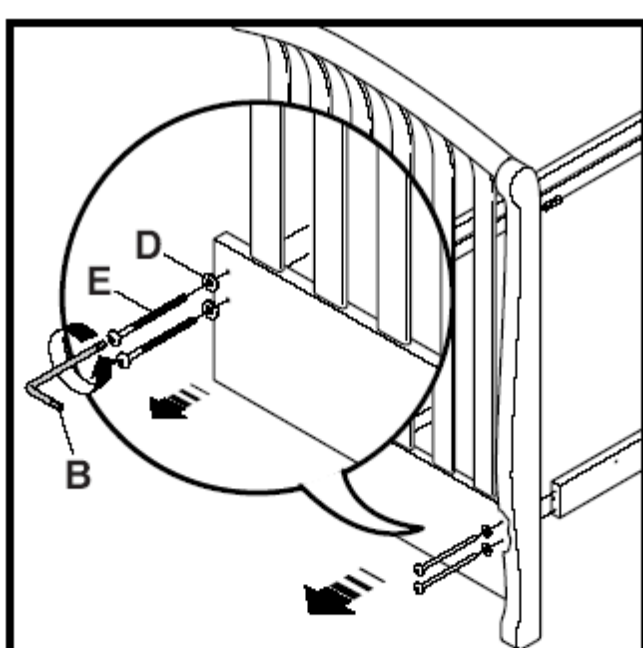


Step 10 Diagram 11

TO TAKE OFF THE DROPSIDE FROM CRIB

From the crib side where you want to take off the dropside:

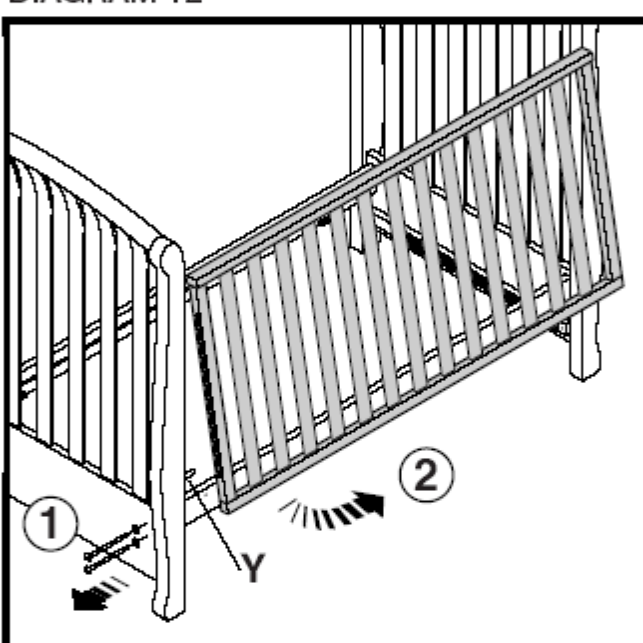
loosen the screws **E** with wrench **B** of only one headboard. Do not take off the screws completely.



Step 11 Diagram 12

Pull the leg of this headboard towards outside (1). Catch the dropside at the bottom (2) and let the pin of screw **Y** goes out from dropside mechanism.

DIAGRAM 12



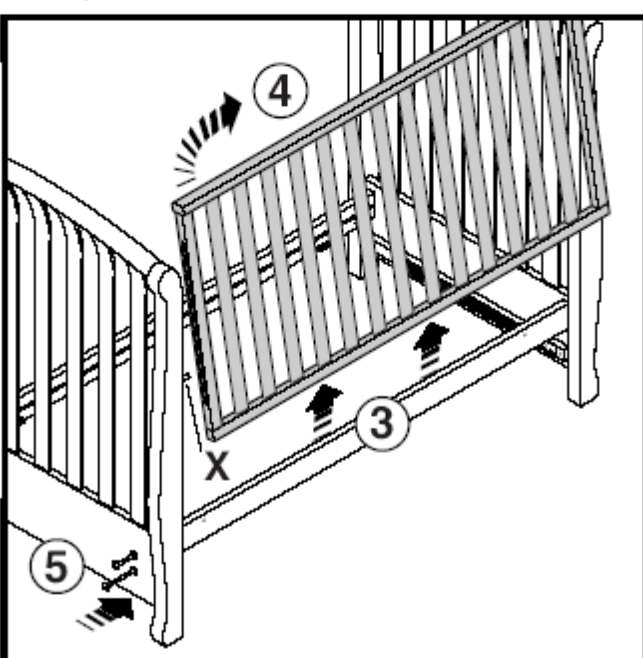
Step 12 Diagram 13

Lift up the dropside (3) and let the screw **X** goes out from dropside mechanism.

Take off the dropside (4).

Tighten again the screw **E** with the wrench **B** (5).

DIAGRAM 13

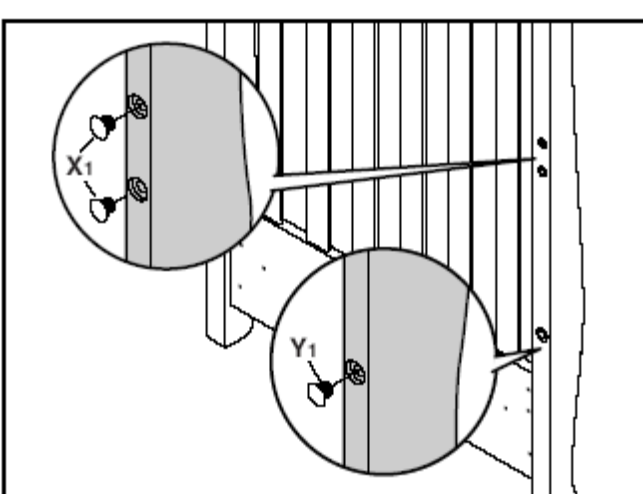


Step 13 Diagram 14

MASKING THE HOLES IN THE LEGS

Use wrench "B" to remove screws **X** and the spanner "Y2" for screw **Y**. Replace the screws with the masking caps **X1** and **Y1** as shown in diagram 12.

DIAGRAM 14

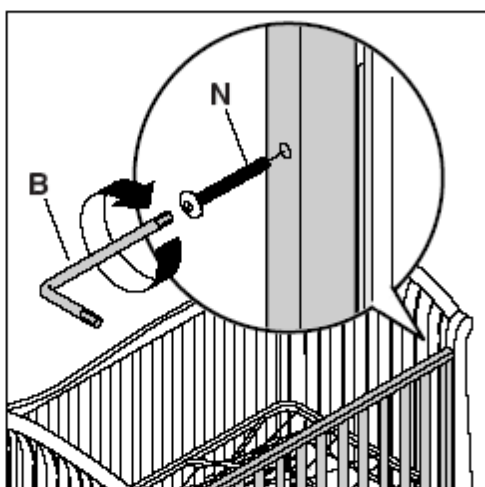


Step 14 Diagram 15

TO FIX SIDE

Raise side until it locks. Use 2 screws **N** to fix side. Tighten screws.

DIAGRAM 15

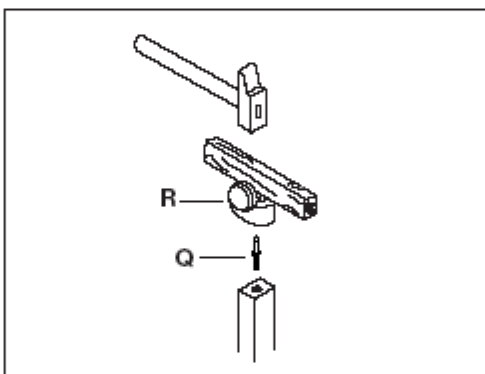


Step 15 Diagram 16

MOUNTING THE CASTERS

DO NOT STRIKE THE WHEELS! Place a piece of wood or something similar that will fit between the wheels and gently tap with a hammer.

DIAGRAM 16

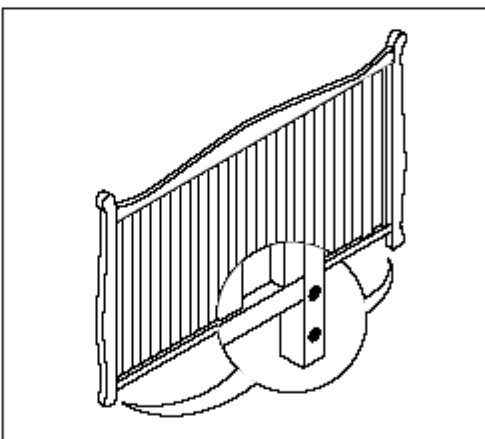


Step 16 Diagram 17

USING THE DROPSIDE HEADBOARD TO BUILD A FULL-SIZE BED

Secure the mattress spring to the dropside headboard with screws **A** using the four holes with bushings located at the base of the legs.

DIAGRAM 17



Step 17 Diagram 18

MASKING THE HOLES IN THE TOP OF THE LEGS

Insert in rear side of the legs through the holes the screw **F** (for crib-bed Bella) or **O** (for crib-bed Alexandra) and in front side of the legs through the holes the nut **P**; screw everything with the wrench **B**.

DIAGRAM 18

