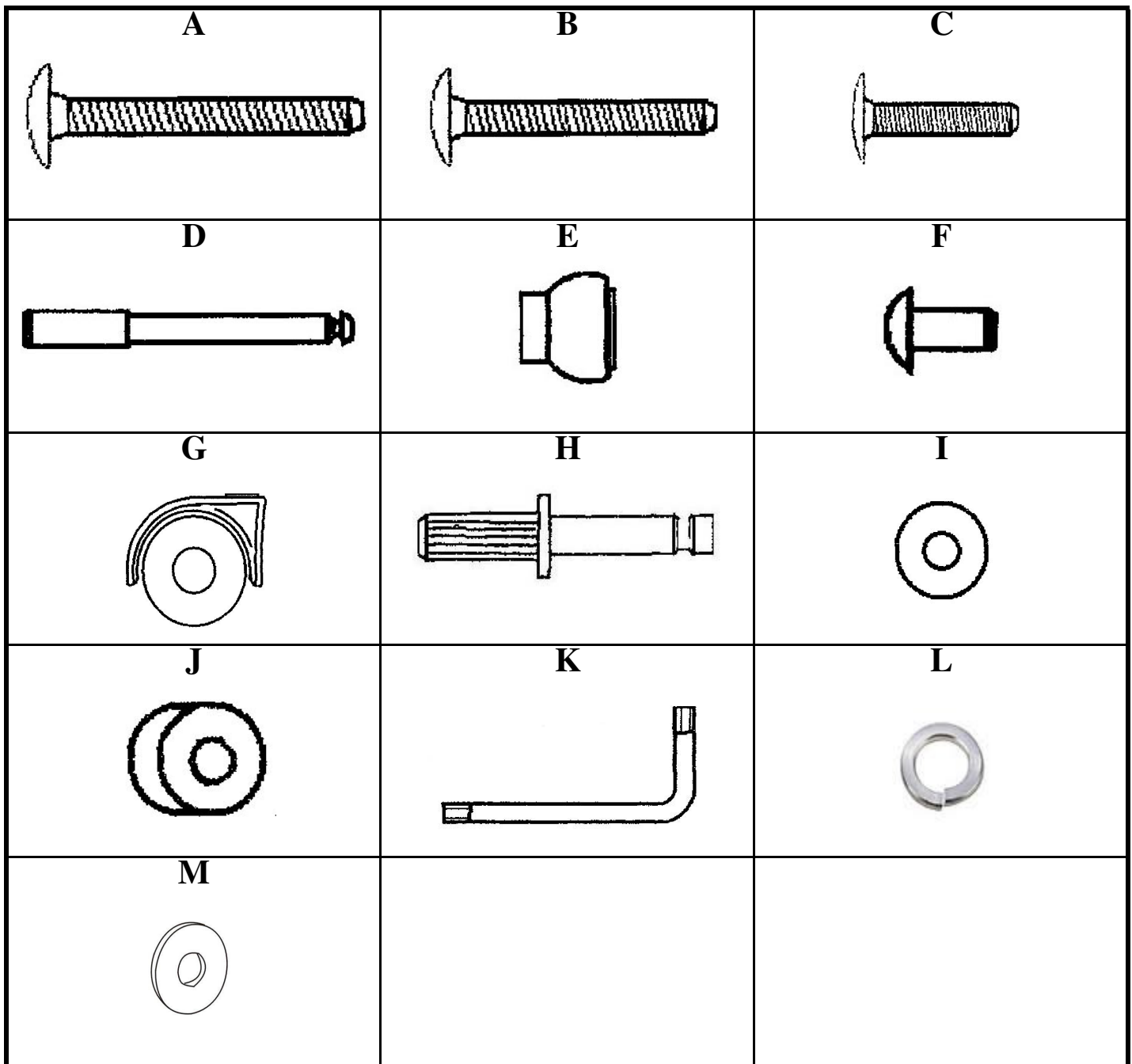




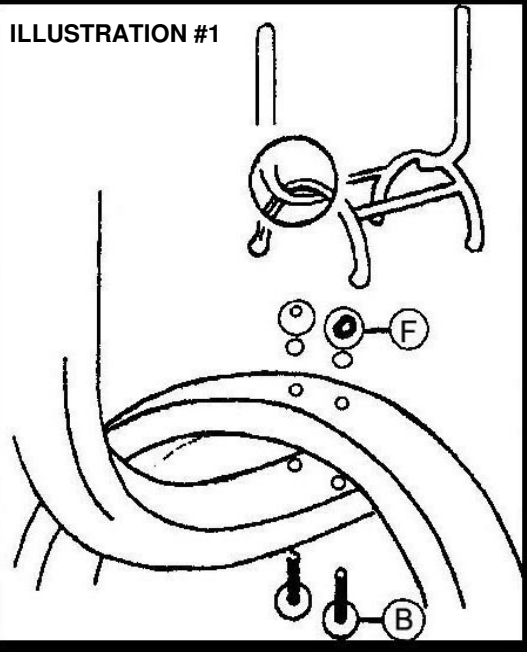
## BELLINI CRADLE 50 HARDWARE

Cradle Hardware		Qty	Cradle Hardware		Qty
A	Screw 6MA x 65mm	2	H	Caster Stud	4
B	Screw 6MA x 45mm	4	I	Plastic Washer $\phi$ 22mm	10
C	Screw 6MA x 30mm	2	J	Plastic Spacer	2
D	Pin	2	K	Hexagonal Wrench 4mm	2
E	Knob	2	L	Self Locking washer	4
F	Bolt 6MA	6	M	Metal Washer	4
G	Caster	4			

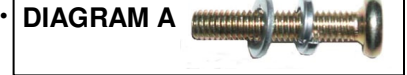


# ASSEMBLY INSTRUCTIONS

ILLUSTRATION #1



**STEP 1:** Please attach the arms to pre-assembled leg frame to support the cradle basket using screw B, self locking washer L, and metal washer M shown in illustration #1 and Diagram A. Insert the caster studs into the pre-assembled leg frame using a hammer. Insert the casters onto the caster stud. You will hear a "Click" When properly attached.



**STEP 2:** Attach the cradle basket to the cradle arm using the hardware as shown in illustration #2.

**STEP 3:** Attach the other side of the cradle basket to the other leg and Veil arm as shown in illustration #3.

**STEP 4:** Insert the pin(D) into the knob(E), pressing them together until you feel the "Click". (illustration 4&5) Tighten all screws using hexagonal wrench(K) included with your hardware.

ILLUSTRATION #2

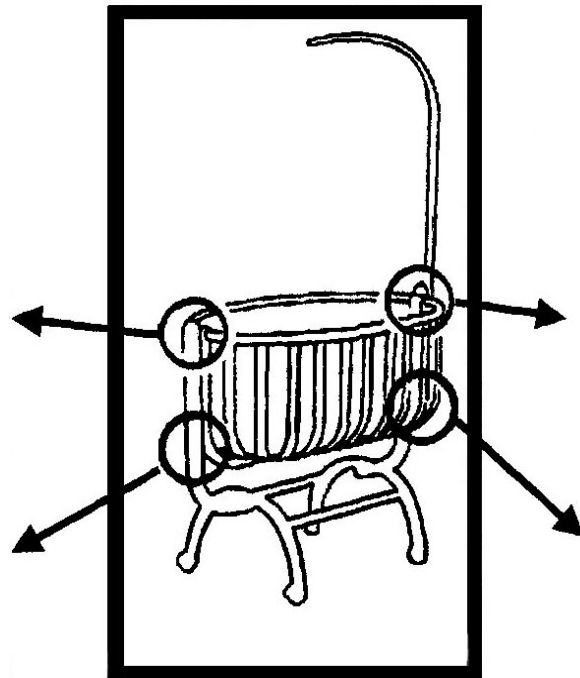
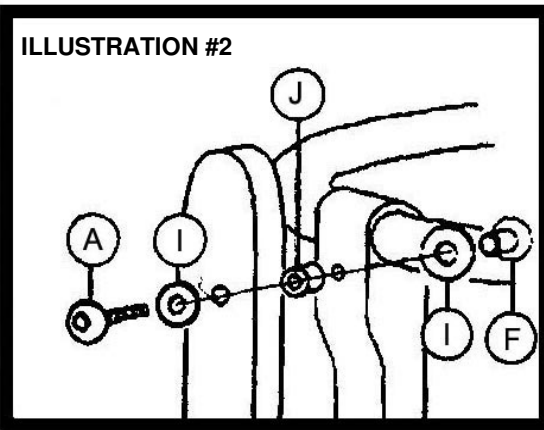


ILLUSTRATION #3

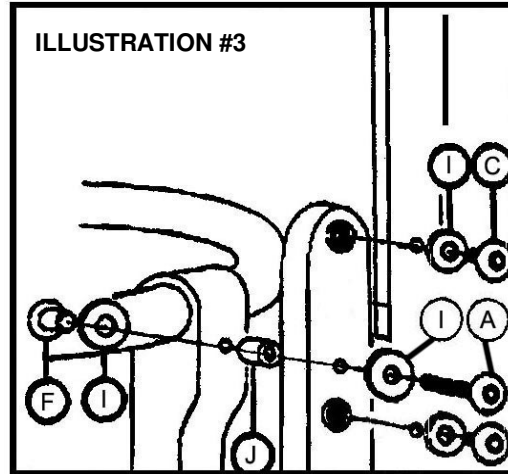


ILLUSTRATION #4

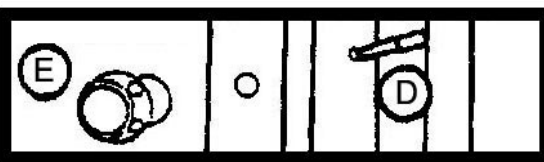
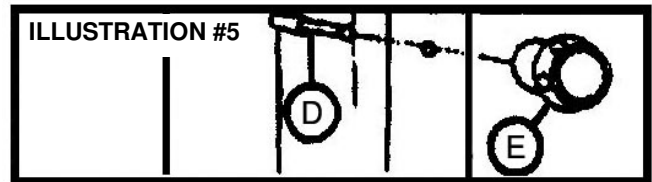


ILLUSTRATION #5



## **CARE AND MAINTENANCE**

### **Maintenance:**

After completing the assembly process, you are advised to read and be aware of all WARNINGS, CAUTIONS, CLEANING, STORAGE, USE AND MAINTENANCE notices contained in these instructions.

Check this product for damaged hardware, loose joints, loose bolts or other fasteners, missing parts, or sharp edges before and after assembly and frequently during use.

Securely tighten loose bolts and other fasteners. DO NOT use cradle if any parts are missing, damaged or broken. DO NOT substitute parts. DO NOT make any alteration to this cradle.

Use care when using a vaporizer or humidifier around the cradle. Do not aim the vapor at the cradle or any other wooden furniture in the nursery. Avoid using vaporizers or humidifiers for extended periods of time.

Your cradle has a durable and protective non-toxic finish. However, if you decide to refinish it, you must use a non-toxic finish specified for children's products. Do not use any toxic stripping methods to remove the old finish.

### **Cleaning:**

To clean the cradle, wipe with a damp cloth and immediately dry the surface. Do not use any chemical cleaners or polishes. Such products can leave a residue on the finish and come in contact with your child. NO ABRASIVES, SCOURING PADS, STEEL WOOL, OR COARSE RAGS should be used to clean this fine furniture.

### **Storage:**

Keep instructions for future use. Wood is a natural material. As such, it can be affected by changes in temperature and humidity. Extreme changes in humidity and temperature can cause the wood to warp, swell, crack, or shrink, thus compromising the structural integrity of the cradle and making it dangerous to use. Do not store furniture in damp basements or hot attics. Allow for plenty of air movement around the furniture, and do not stack it.